

Optional PCB Installation Manual

SAFETY PRECAUTIONS

- Read the following "SAFETY PRECAUTIONS" carefully before installation.
- Electrical works must be done by a licensed electrician.
- The caution items stated here must be followed. The meanings of each indication are as follows. Ignoring this instruction and performing incorrect installation procedures may cause any dangers and damages, and the seriousness are classified as follows.

	WARNING	This symbol indicates a risk of death or serious injury.
	CAUTION	This symbol indicates a risk of injury or property damage.

The items to be followed are classified by the symbols:

	This symbol indicates a prohibited item.
	This symbol indicates what shall be done.

- Carry out test run to confirm that no abnormality occurs after the installation. Please remind the user to keep the operating instructions for future reference.

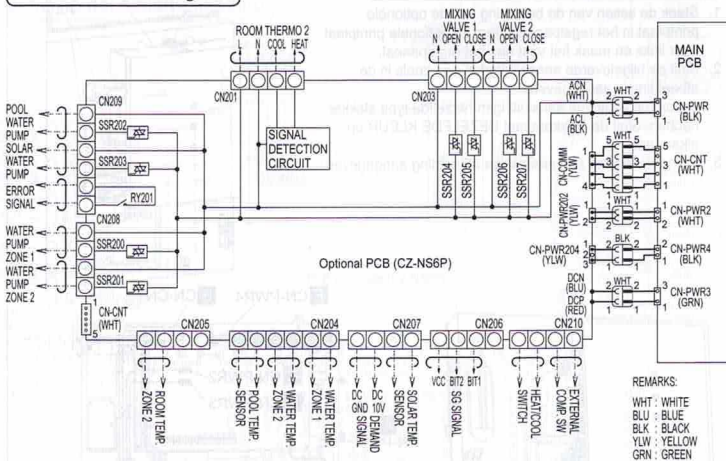
WARNING

- Be sure to turn off all power supply before installing and connecting the Optional PCB. Otherwise, electrical shock may be caused.
- Engage authorized dealer or specialist for installation. If installation done by the user is defective, electrical shock or fire may be caused.
- Be sure to install in accordance with this installation instruction. Otherwise, electrical shock or fire may be caused.
- Use the attached accessory parts and specified parts for installation. Otherwise, fire or electrical shock may be caused.
- For electrical works, follow the local national wiring standard, regulation and this installation instruction. Otherwise, electrical shock or fire may be caused.
- Wire routing must be properly arranged so that control board cover is fixed properly. If control board cover is not fixed properly, it may cause electrical shock or fire.
- Do not modify the length of Optional PCB lead wires. Otherwise, it may cause abnormal operation, electrical shock or fire.
- Do not touch the Optional PCB once the power supply is turn on. Accidental contact with the Optional PCB electrical shock may be caused.

ATTACHED ACCESSORY

No.	Accessory Part	Qty.	No.	Accessory Part	Qty.
1	Optional PCB (CZ-NS6P)	1	2	Accessory Lead Wire	1
			3	Accessory Lead Wire	1

Electric Circuit Diagram



Water Circuit And System Installation

- Functions below are available through the connection of the Optional PCB (CZ-NS6P) to the Main PCB.
 - 2-zone control
 - Pool
 - Solar
 - External error signal output
 - Demand control
 - SG ready
 - Stop compressor by external compressor switch
 - Switch heating and cooling by external Heat-Cool switch
- Please refer to the Indoor Unit installation manual for water circuit installation details and system setup details.

Recommended Specifications of Field Supply Accessories

No.	Part	Wired	Model	Specifications	Manufacturer
i	Room thermostat	Wired	PAW-A2W-RTWIRED	AC230V	Panasonic
ii	Mixing valve	Wireless	PAW-A2W-RTWIREDLESS	AC230V	Panasonic
iii	Pump	-	13020800	AC230V, 5VA	ESBE
iv	Zone water sensor	-	Yonos PICO1.0 25/1-8	AC 230V, 0.6 A max	Wilo
v	Zone room sensor	-	PAW-A2W-TSHC	-	Panasonic
vi	Solar sensor	-	PAW-A2W-TSRT	-	Panasonic
		-	PAW-A2W-TSSO	-	Panasonic

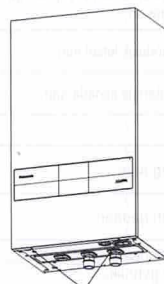
Optional PCB Installation

WARNING

Make sure to turn off all power supply (e.g. indoor power supply, heater power supply, boiler tank power supply) before performing the steps below to avoid electrical shocks, etc.

Step 1: Removal of Cabinet Front Plate

Please follow the steps below to remove Cabinet Front Plate.



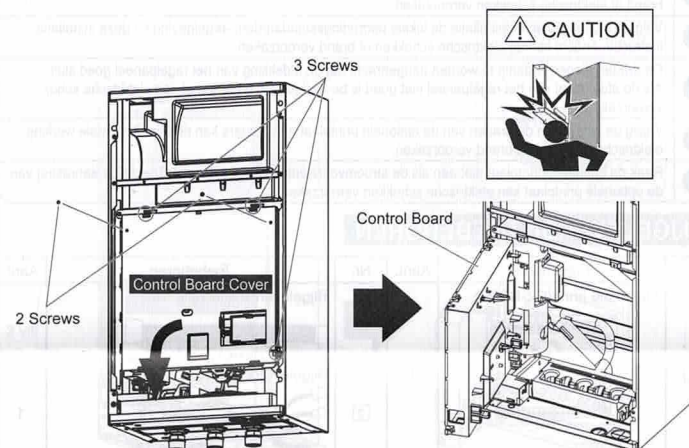
2 Screws

- Remove 2 screws on the bottom.
- Slide it upwards to unhook the Front Plate hook.

Step 2: Open the Control Board Cover and the Control Board

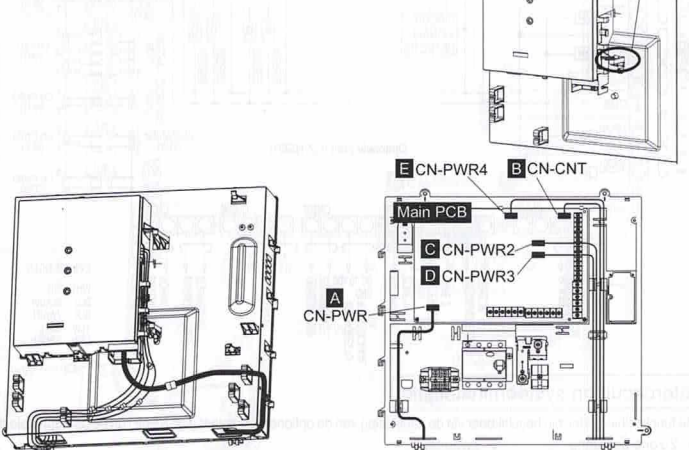
Please follow the steps below to open control board cover.

- Remove 2 screws for the cover and 3 screws (circled) for the Control Board.
- Open the cover and the Control Board.



Step 3: Assembly of Optional PCB

- Insert axis of Optional PCB case into Control Board, rotate Optional PCB to the left and attach Control Board.
- Connect accessory lead wires as shown in the figure. Note that some connections are the same type of connector. Connect the connectors of the SAME COLOR.
- Route lead wires as shown in the figure.



Connector of Lead Wire from Optional PCB / Connector of Accessory Lead Wire	Accessory Lead Wire	Connector of Main PCB / Connector of Accessory Lead Wire
A White	Black × 1 White × 1	Black
B White	White × 4	White
C White	White × 2	White
D White	Red × 1 Blue × 1	Green
E Black	White × 2	Black

Terminal screw	Tightening torque cN·m (kgf·cm)
M4	157~196 (16~20)

- Install back removed parts following reverse procedure.

