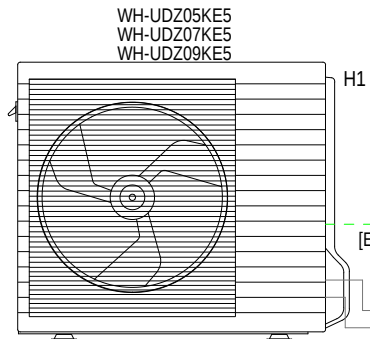
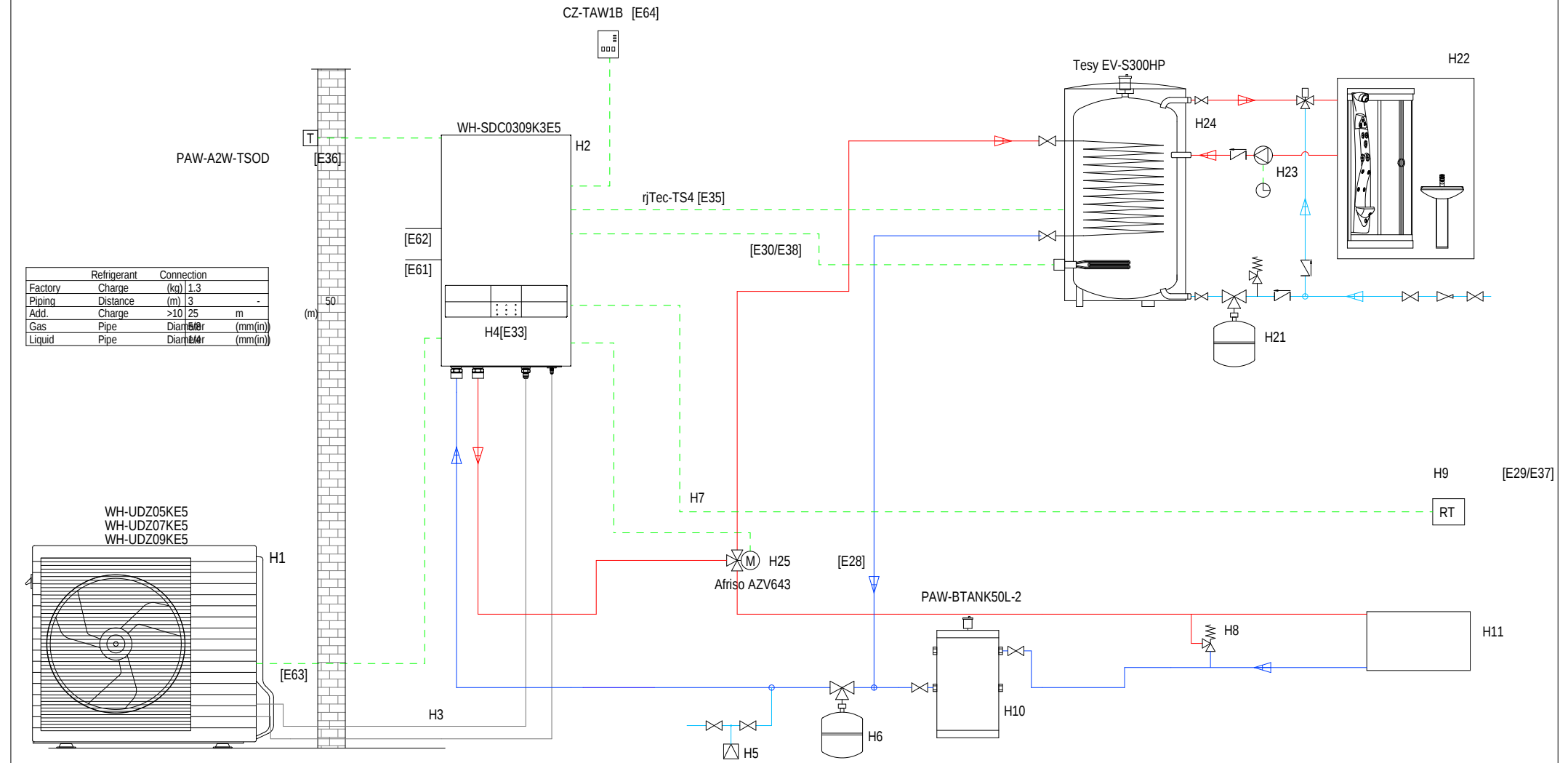


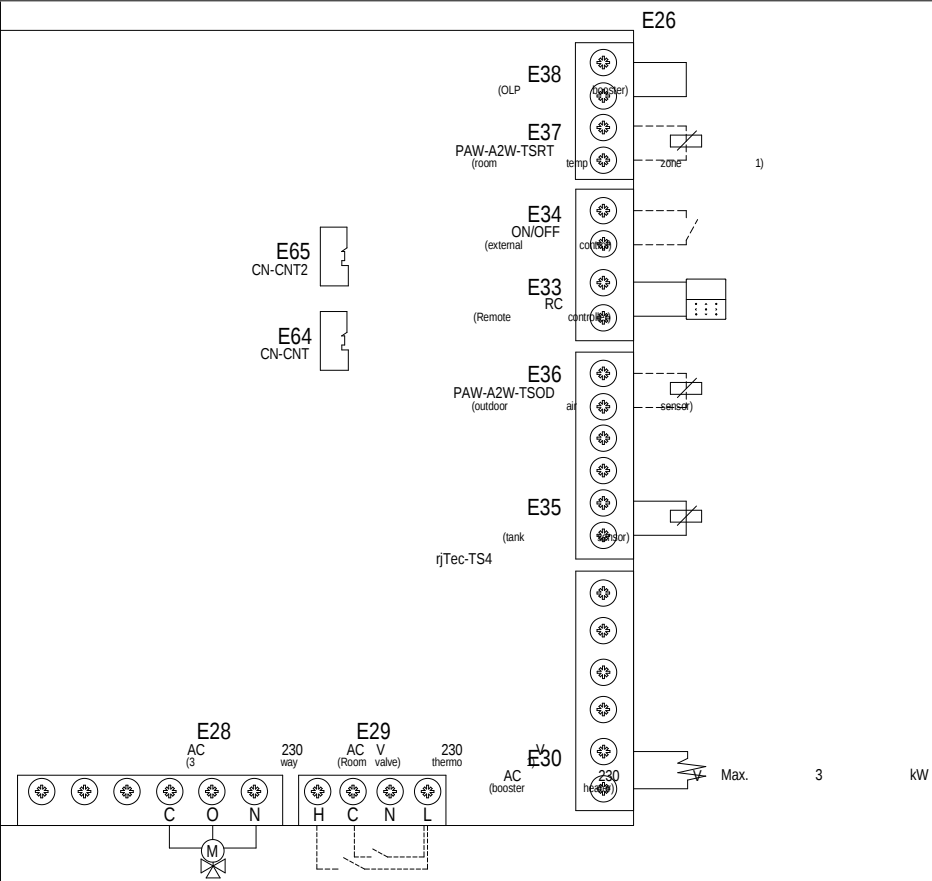
	Refrigerant	Connection
Factory	Charge (kg)	1.3
Piping	Distance (m)	3
Add.	Charge	>10 25 m
Gas	Pipe Diameter	(mm(in))
Liquid	Pipe Diameter	(mm(in))



Hydraulic	Connection
Type	BSPP (male)
Inlet & Outlet	Size 1/4
Nom. Flow	Rate 0.3 (l/m)

(mm(in))





E65
CN-CNT2

E64
CN-CNT

